

MAGDOS LT



Operation & Maintenance Instruction

Read these operation & maintenance instructions
before start up!

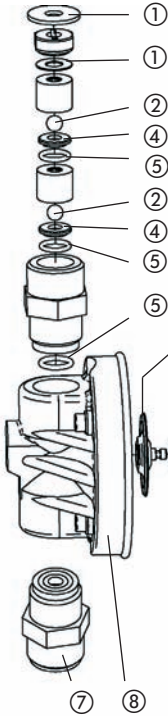
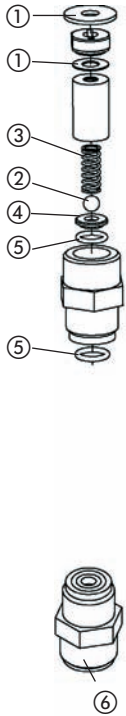
To be held for future reference.

12. Spare parts

12.1 Spare parts list MAGDOS LT 02 ... 06

Spring-loaded
check valve

Double ball
check valve



⑨ Diaphragm, PTFE-coated EPDM 81424

Spacer 37093

Deflector plate 22066

Drive: 230 VAC 37109

115 VAC 37196

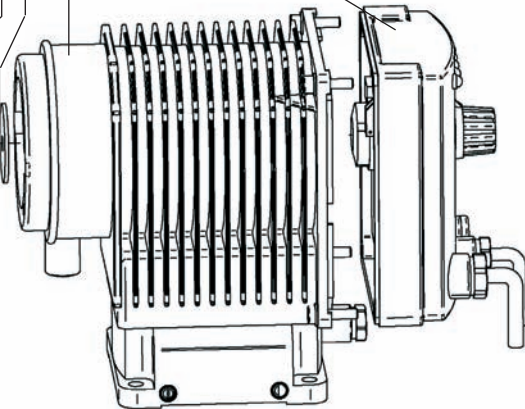
24 VDC 37302

Spare part: Dampening ring 78509

Control unit: 230 VAC 37113

115 VAC 37195

24 VDC 37303



Spare parts list

for MAGDOS LT *with double ball check valves*

Consists of:	Material	Part No.:
① Gaskets	PVC / Glass / FPM	29746
② Valve balls	PVC / Glass / EPDM	33696
④ Valve seats	PP/ Glass / FPM	29746
⑤ O-rings	PP/ Glass / EPDM	33696
⑨ Diaphragm	PVDF / PTFE / PTFE	33859
	PVDF / PTFE / FPM	33854
	Stainless steel / PTFE	29747

Further materials upon request.

Spare parts list for MAGDOS LT <i>with spring-loaded check valves</i>		
Consists of:	Material	Part No.:
① Gaskets	PVC / Glass / FPM	34775
② Valve balls	PVC / Glass / EPDM	37296
③ Springs	PP/ Glass / FPM	34775
④ Valve seats	PP/ Glass / EPDM	37296
⑤ O-rings	PVDF / PTFE / PTFE	37297
⑨ Diaphragm	PVDF / PTFE / FPM	37326
	Stainless steel / PTFE	37298

⑥ Spring-loaded check valve complete		
Material	Part No.:	
	Suction valve	Discharge valve
PVC / Glass / FPM	25087	25088
PVC / Glass / EPDM	33499	33500
PP/ Glass / FPM	35262	35263
PP/ Glass / EPDM	34733	34809
PVDF / PTFE / PTFE	29385	29384
PVDF / PTFE / FPM	34370	34371
Stainless steel / PTFE	25089	25090

⑦ Double ball check valve complete		
Material	Part No.:	
	Suction valve	Discharge valve
PVC / Glass / FPM	20890	20891
PVC / Glass / EPDM	33497	33498
PP/ Glass / FPM	35605	35606
PP/ Glass / EPDM	34647	34648
PVDF / PTFE / PTFE	28111	28112
PVDF / PTFE / FPM	33703	33704
Stainless steel / PTFE	24029	24030

⑧ Dosing head including mounting bolts	
Material	Part No.:
PVC	37311
PP	37317
PVDF	37320
Stainless steel	37323
PVC with venting	37314