

MEMDOS E/DX

Motor-driven Diaphragm Dosing Pump



EN

02

Operation manual

Read this operation manual before start-up!
To be retained for future reference.

14. Spare parts

Use the manufacturer's original spare parts. Wear parts are available for the MEMDOS E/DX in spare parts sets.

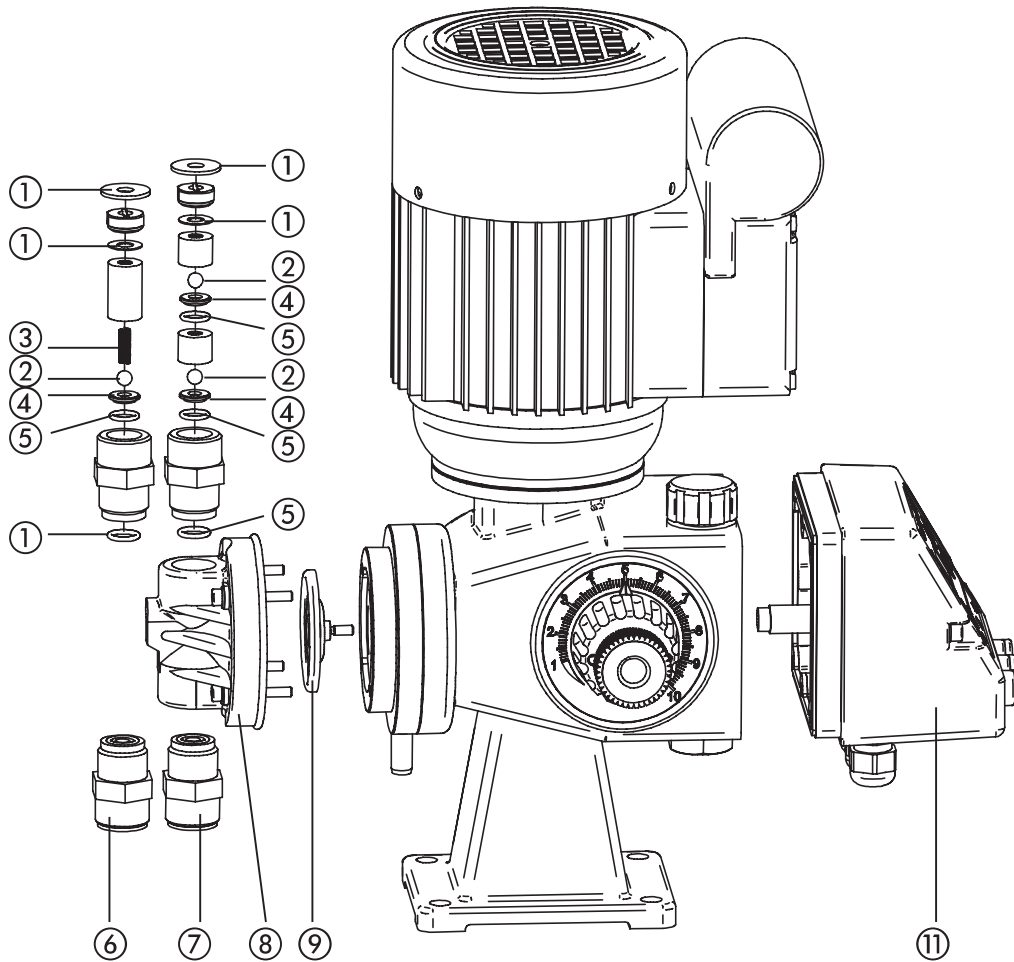
	Spare parts	Description	E/DX 4...26	E/DX 50...76
⑧	Dosing head with screws	PVC	34882	34873
		PP	35143	35117
		PVDF	34898	on request
		Stainless steel	34899	34901
		other materials	on request	
⑨	Diaphragm	PTFE coated	81464	81465
⑩	Support plate		-	28977
⑪	Control unit (MEMDOS DX)	EU version	34897	
		CSA version	35187	

MEMDOS Size 1

	Spare parts	Description	E/DX 110...156	E/DX 160...260	E/DX 300...380
⑧	Dosing head with screws	PP	34979	23722	34953
		Stainless steel	32890	23728	34952
		other materials	on request		
⑨	Diaphragm	PTFE coated	81466	81467	81468
		Conductive PTFE for ATEX version	81796	81793	81794
⑪	Control unit (MEMDOS DX)	EU version	34897		
		CSA version	35187		

MEMDOS Size 2

Spare parts sets MEMDOS E/DX 4...26



Spare parts sets for valves			
Consisting of:	Material	Double-ball valve	Spring-loaded valve
① Flat gaskets	PVC / Glass / FPM	29750	37336
② Valve balls	PVC / Glass / EPDM	33698	37337
③ * Springs	PP/ Glass / FPM	27750	37336
④ Valve seats	PP/ Glass / EPDM	33698	37337
⑤ O-rings	PVDF / PTFE / PTFE	35572	37341
⑨ Diaphragm	PVDF / PTFE / FPM	33856	37338
* spring-loaded valve only	Stainless steel / PTFE	29751	37339

Complete valves for MEMDOS E/DX 4...26				
Material	⑦ Double-ball valve		⑥ Spring-loaded valve	
	Suction valve	Discharge valve	Suction valve	Discharge valve
PVC / Glass / FPM	20890	20891	25087	25088
PVC / Glass / EPDM	33497	33498	33499	33500
PP/ Glass / FPM	35605	35606	35262	35263
PP/ Glass / EPDM	34647	34648	34733	34809
PVDF / PTFE / PTFE	28111	28112	29385	29384
PVDF / PTFE / FPM	33703	33704	34370	34371
Stainless steel / PTFE	24029	24030	25089	25090